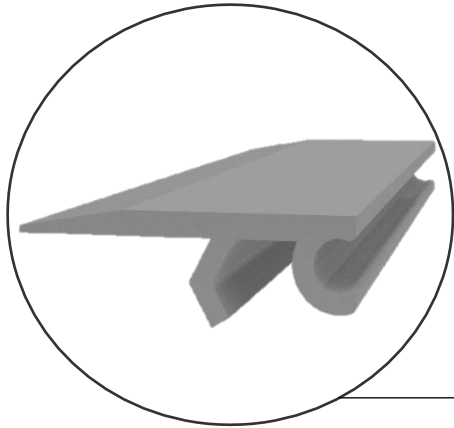
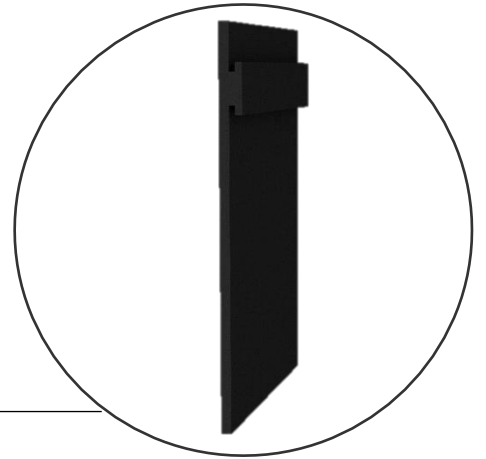


# Top Mounted Aluminum Continue Hollow Channel System

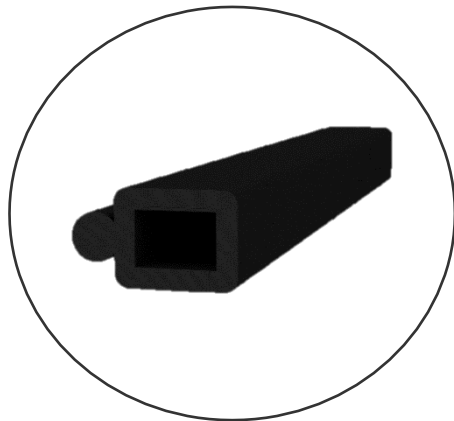
## DTA100-GLS



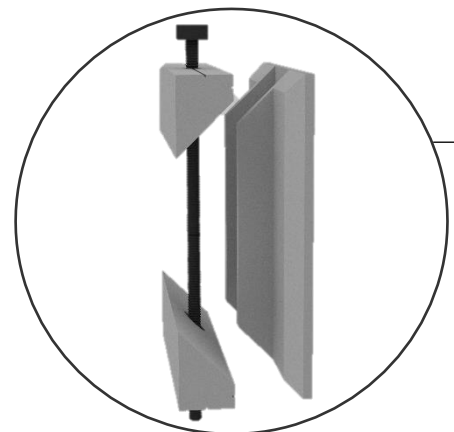
Top Cover



Packer



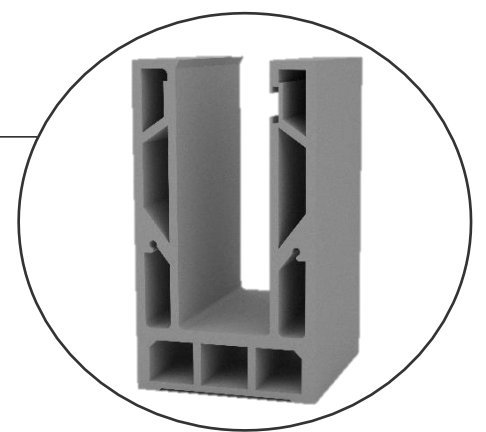
Gasket



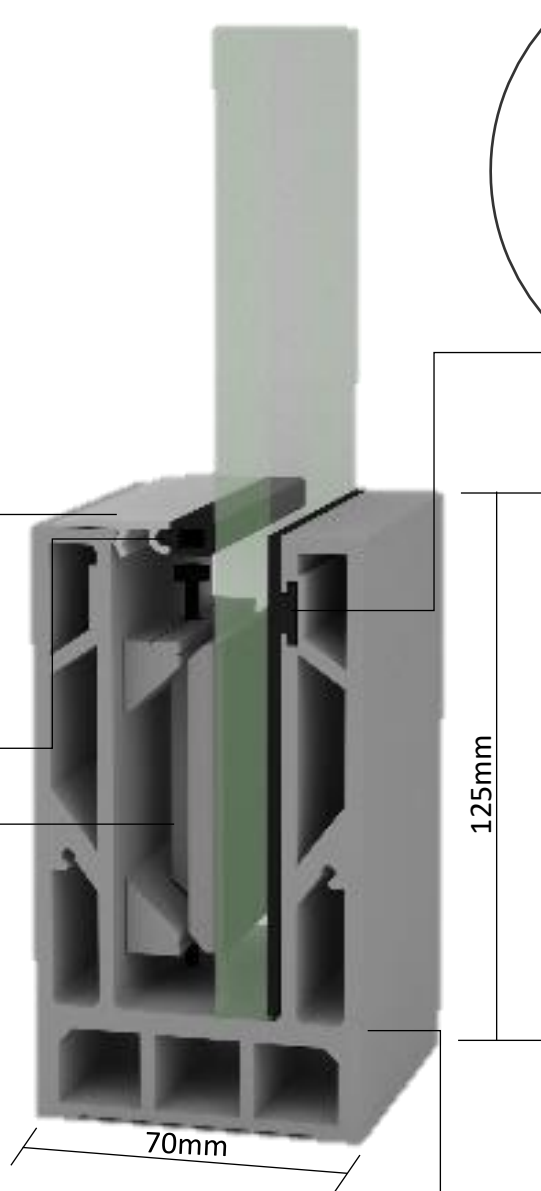
Glass Packer



HILTI Anchor Bolt  
HRD C GI M10X100



Channel



70mm

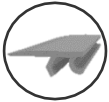
125mm

## Specification



### Channel:

- Material: AL6063 T6
- Length: 12 Feet
- Height: 125mm
- Width: 70mm
- Approx Weight: 19.900kg/12 Feet



### Packer:

- Material : AL6063 T6



### Gasket:

- Microwave Cured & EPDM Rubber



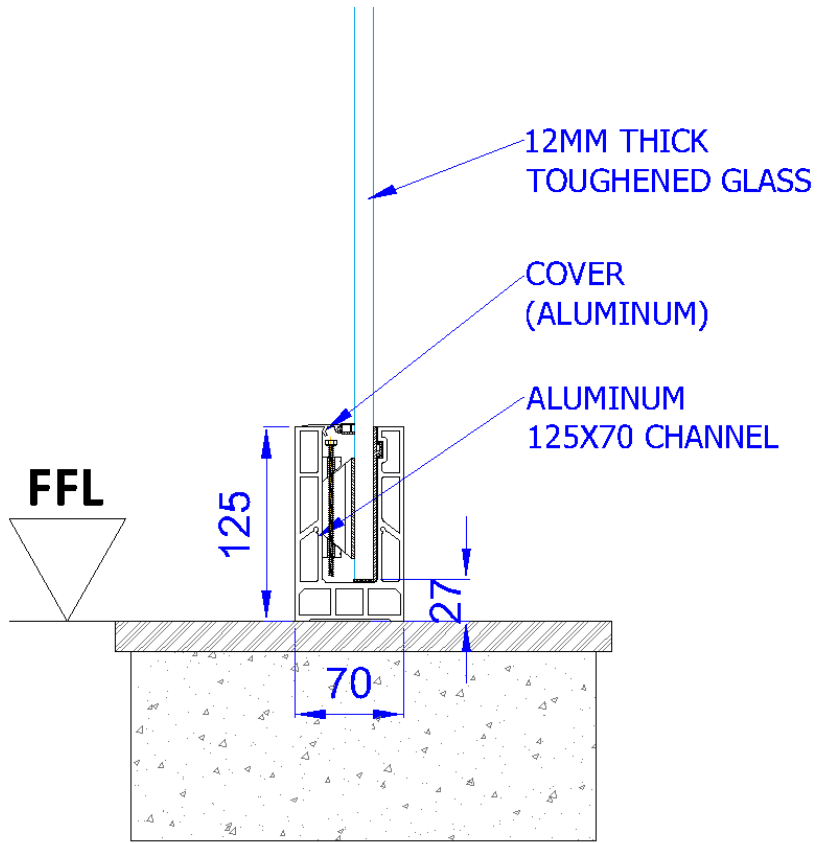
### Anchor Fastner:

- Type: Hilti HRD C M10X100/120/140/160 (Counter Sunk) (As per client's requirement)
- Placement: 450mm C/C (8 Anchor Holes in 12feet Channel)



### Powder Coating:

- Type: AkzoNobel
- Color/Shade: As per client preference and subject to availability and feasibility
- Coat thickness: 80-100 Microns
- Coating warranty: 10 years of warranty



**SIDE VIEW**